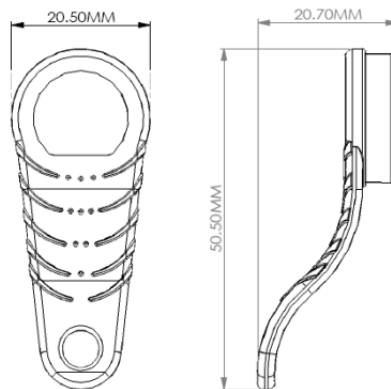




## iButton Key



### Feature:

- 1-Wire protocol ensure compatibility with iButton family
- Used for mechanically holding and electrically contacting
- Unique number. assures absolute traceability because no two parts are alike
- Low cost electronic key for access control
- Be applicate in electronically controlled beverage systems, electronic cashier systems, door-locking systems, hand-held data processing systems, personal computers...

### Spec:

- 8-bit CRC for checking data integrity
- Operating temperature range of -40°C to +85°C
- Unique, factory-lasered and tested 64-bit registration number (8-bit family code + 48-bit serial number + 8-bit CRC tester)
- Data can be accessed while affixed to an object
- Economically communicates to bus master with a single digital signal at 16.3k bits per second
- Standard 16 mm diameter and 1-Wire TM protocol
- Durable stainless steel case engraved with registration number withstands harsh environments

